

Madhya Pradesh Metro Rail Corporation Limited (MPMRCL)
(A Joint Venture of Government of India and Government of Madhya Pradesh)
CIN: U75100MP2015SGC034434
2nd Floor, Smart City Development Corporation Limited Office Building,
Kalibadi Road, BHEL, Sector A, Berkheda, Bhopal – 462022, Madhya Pradesh, India
Website- www.mpmetrorail.com
Tel No.: +91-755-2475607
Corrigendum – 08

No.: 141/MPMRCL/2022

Date: 04.02.2022

With reference to Tender Notification No.: 1458/MPMRCL/2021/Package IN–09, Date: 10.11.2021, regarding “Engineering, Supply, Erection, Testing and Commissioning of Power Supply Receiving Sub–Station (RSS), Traction Sub-Station (TSS), Auxiliary Sub-Station (ASS), 750 V DC 3rd Rail and SCADA System” for Indore Metro Rail Project, following corrigendum are issued in pursuant to clause 3.5 of Volume I – ITT. The corrigendum will be part of the said tender document

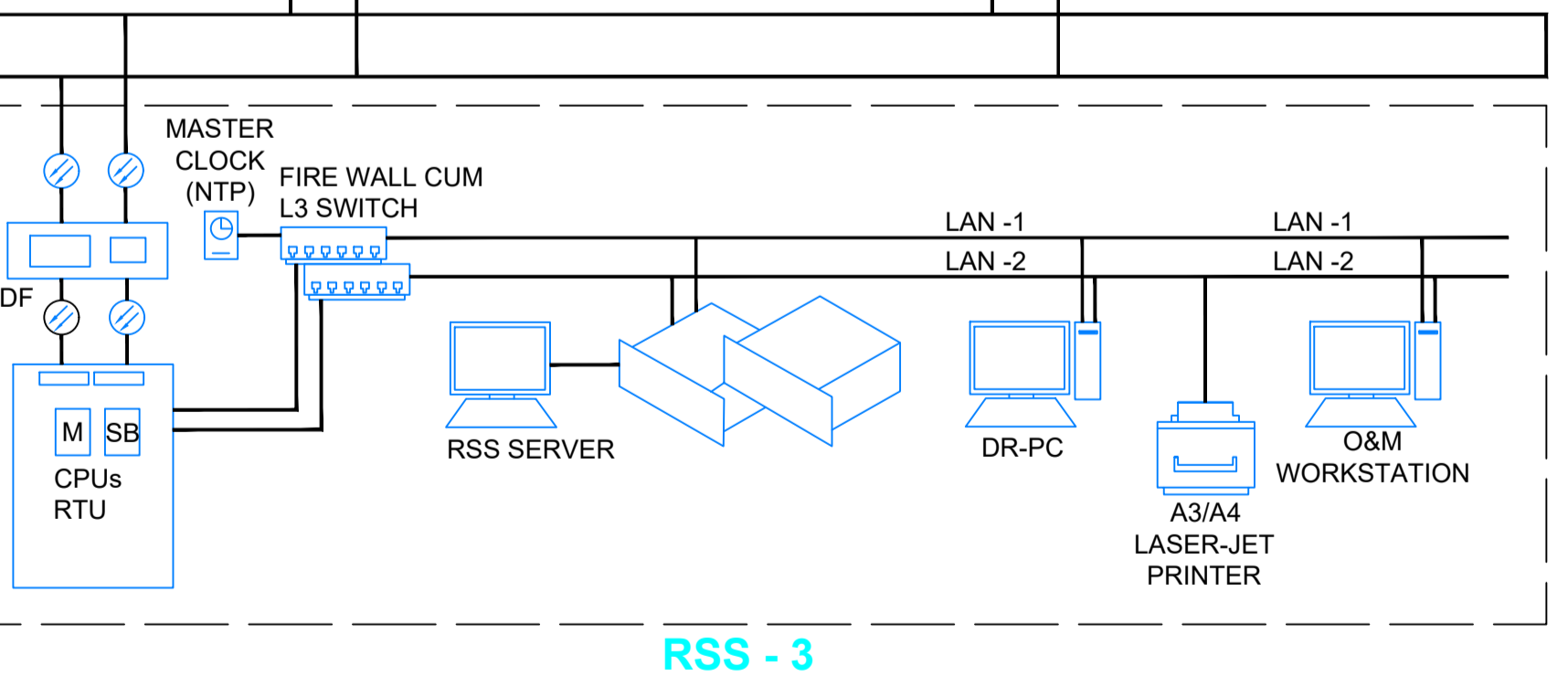
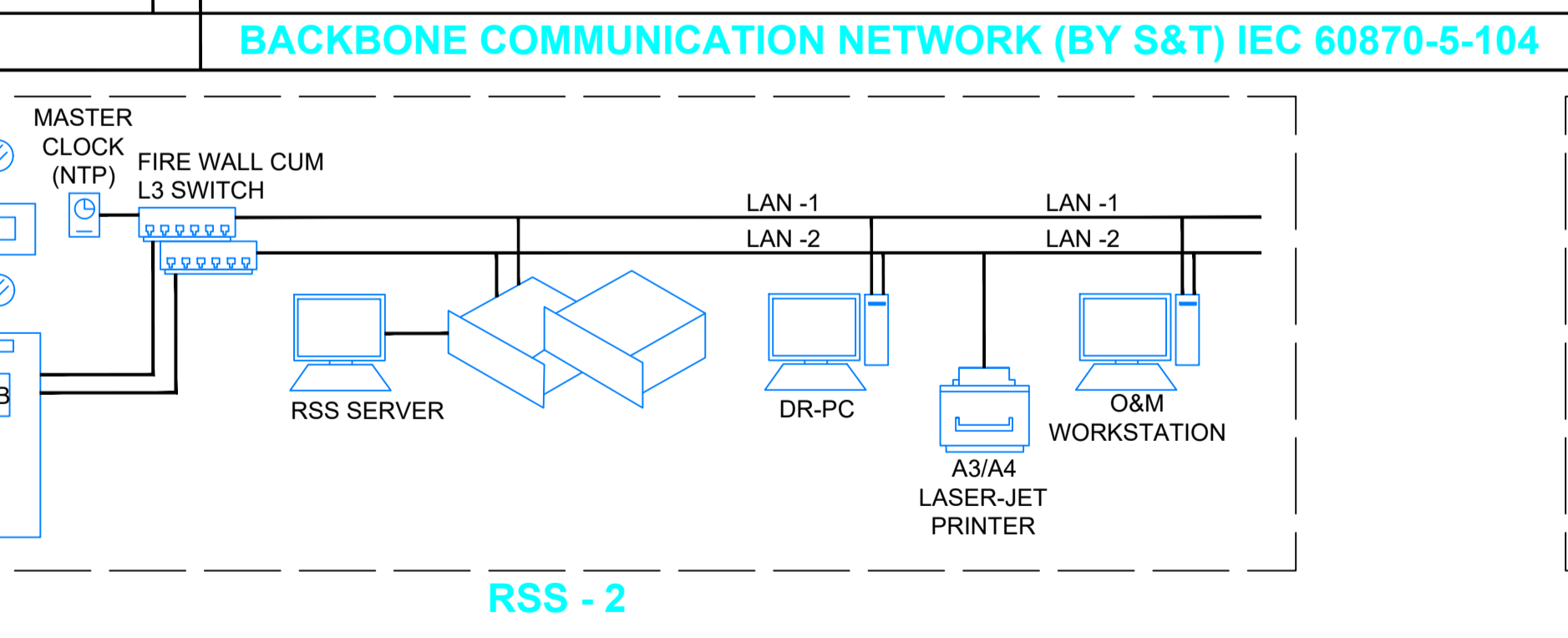
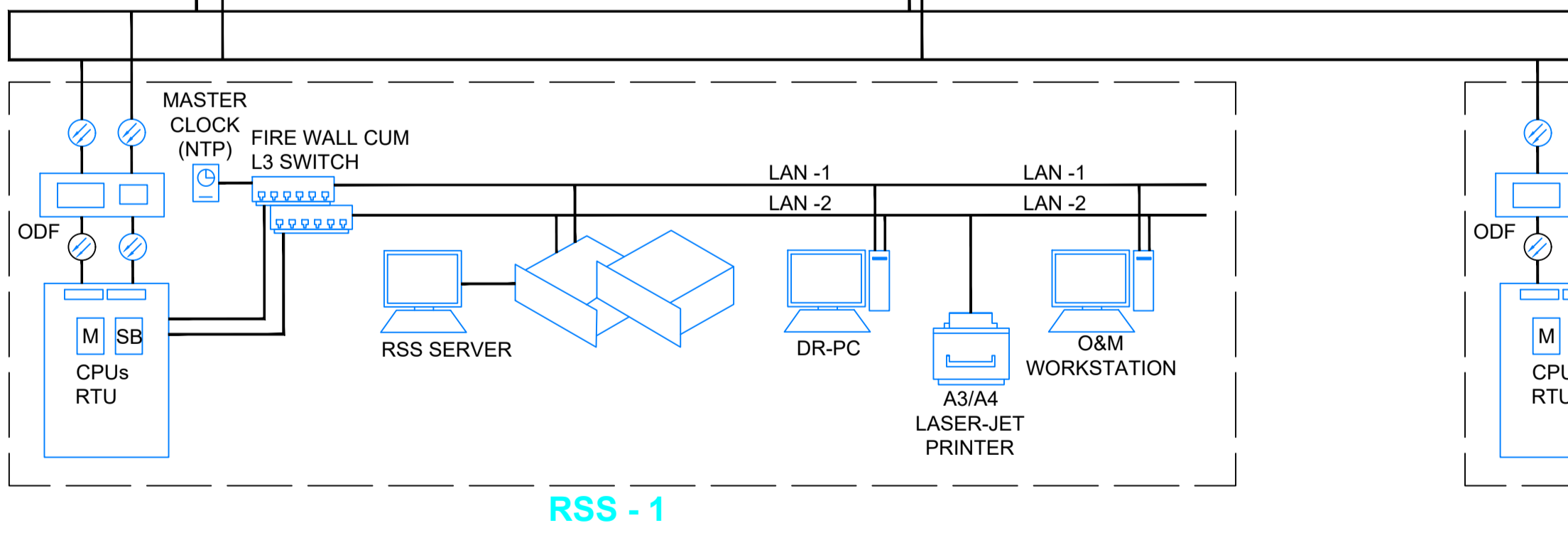
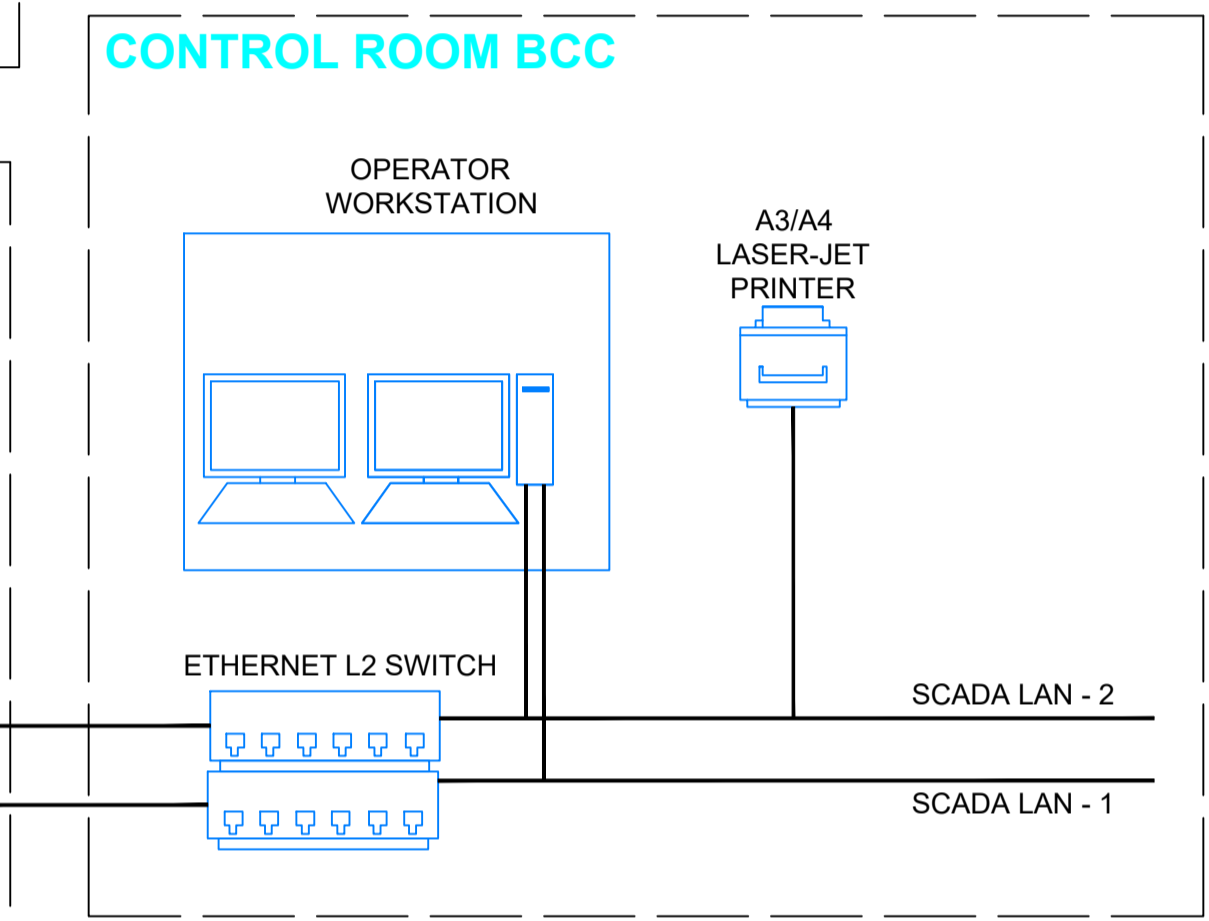
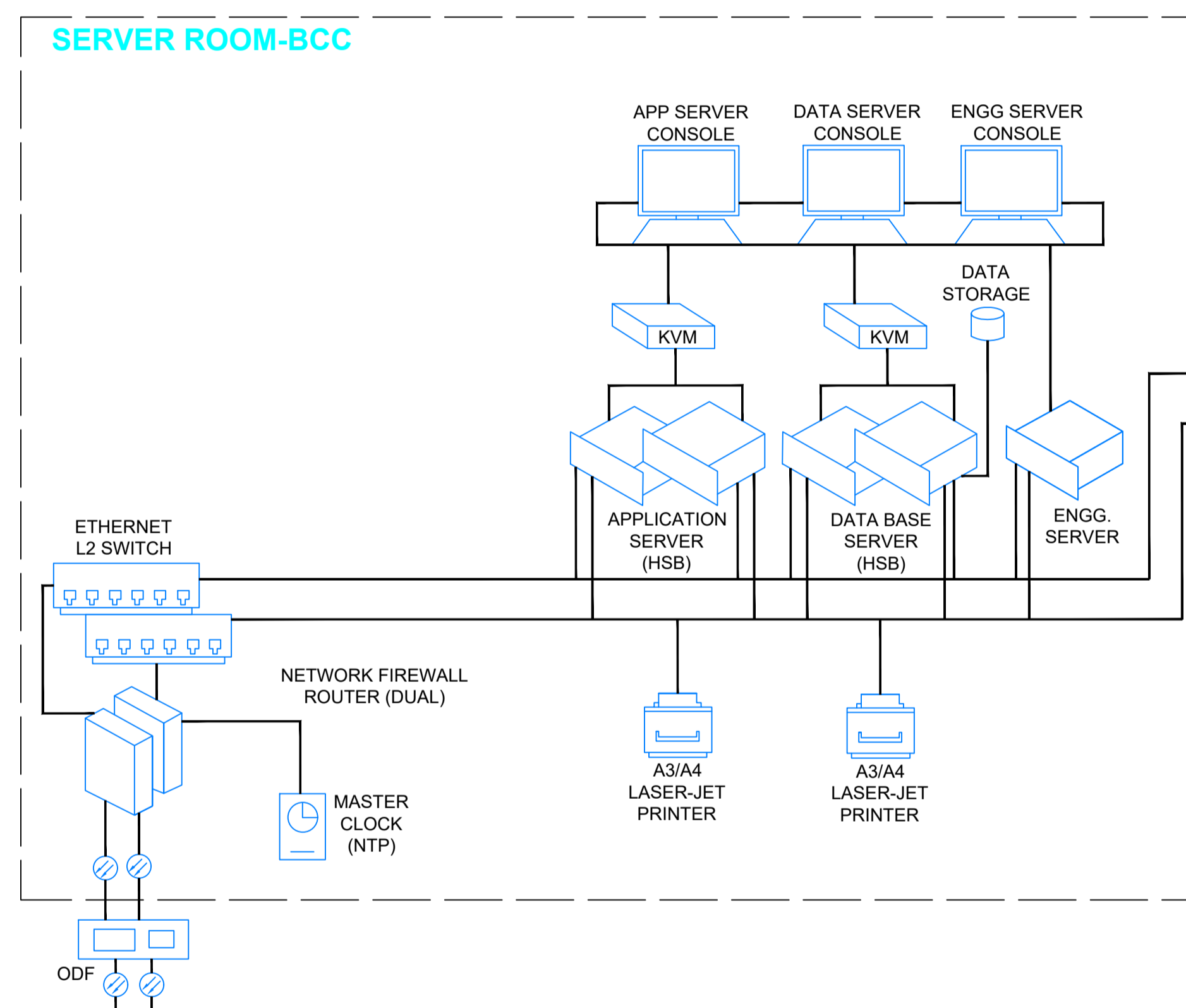
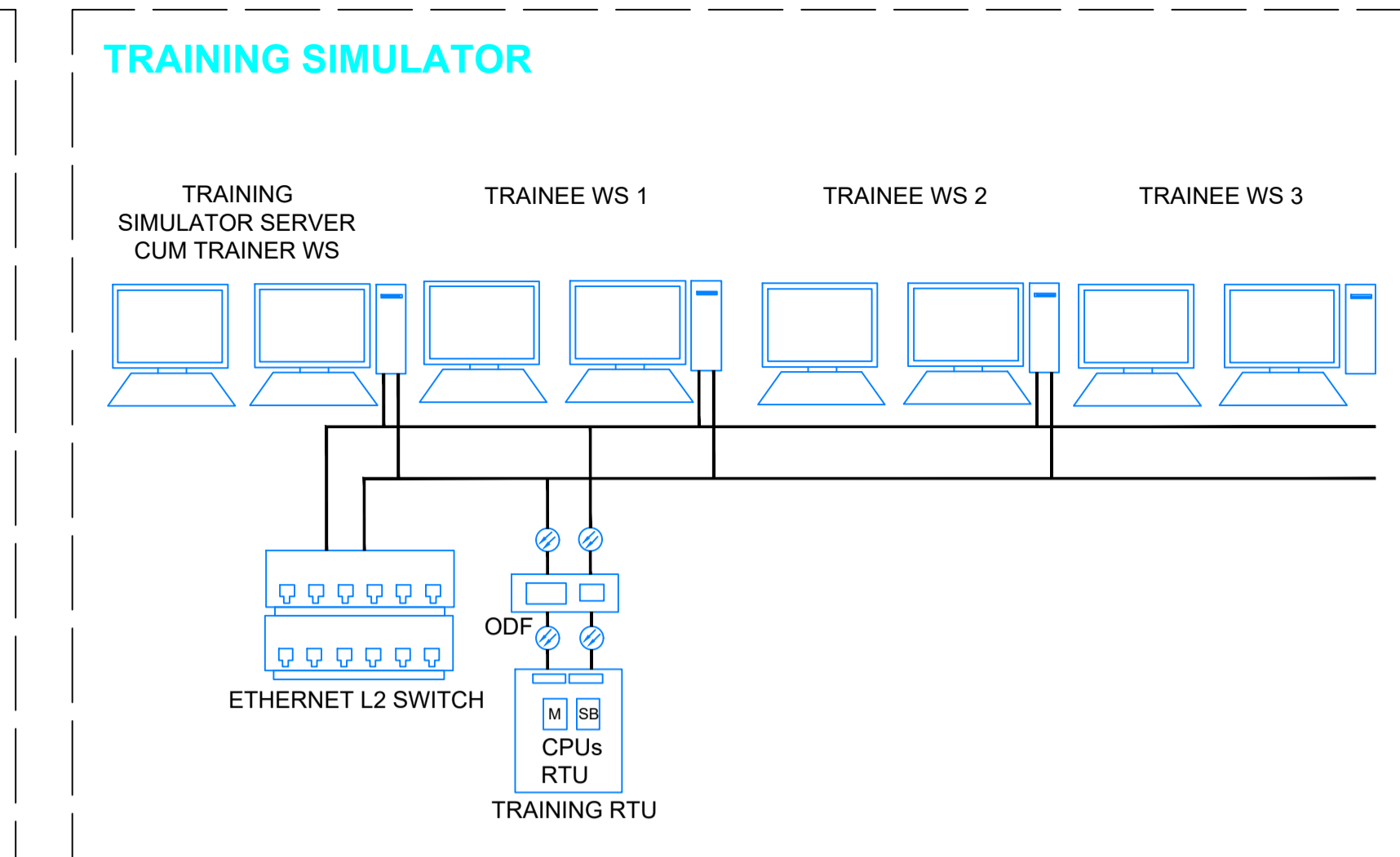
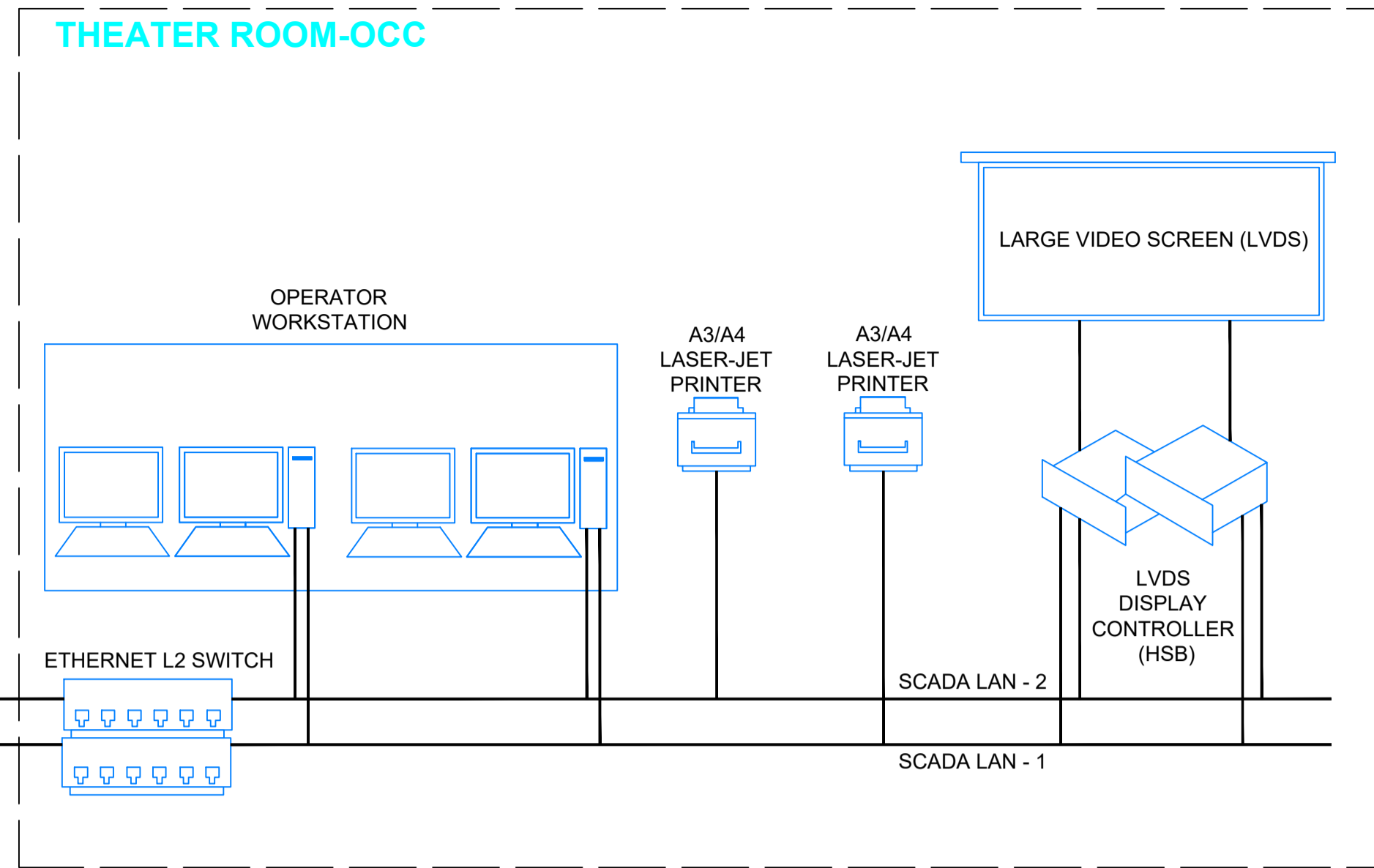
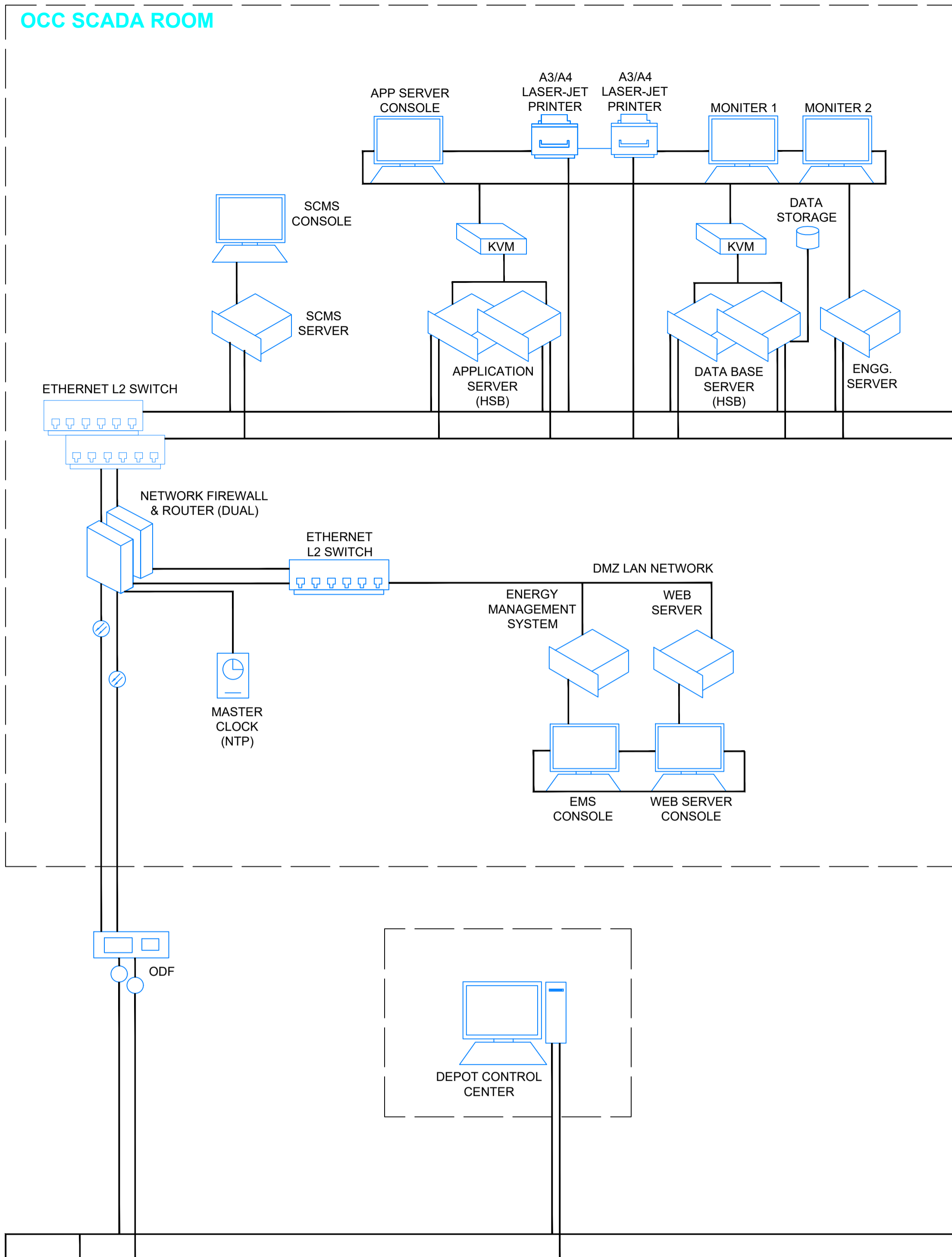
Sr. No.	Tender Document Reference	Clause/Sub-Clause/Para (Page No)	Clause Description (relevant portion) as existing in the Tender Documents	Clause Description (relevant portion) as amended now to be read as
1.	Volume VI	Tender Drawing Corrigendum -6, Item No. 26	TYPICAL SCADA CONTROL CENTRE ARCHITECTURE (OCC/BCC) Drg No I202-BIG-TRP-00-DWG-SCDLYT1-00605/R00	TYPICAL SCADA CONTROL CENTRE ARCHITECTURE (OCC/BCC) Drg No I202-BIG-TRP-00-DWG-SCDLYT1-00605/R01

The other conditions will remain the same.

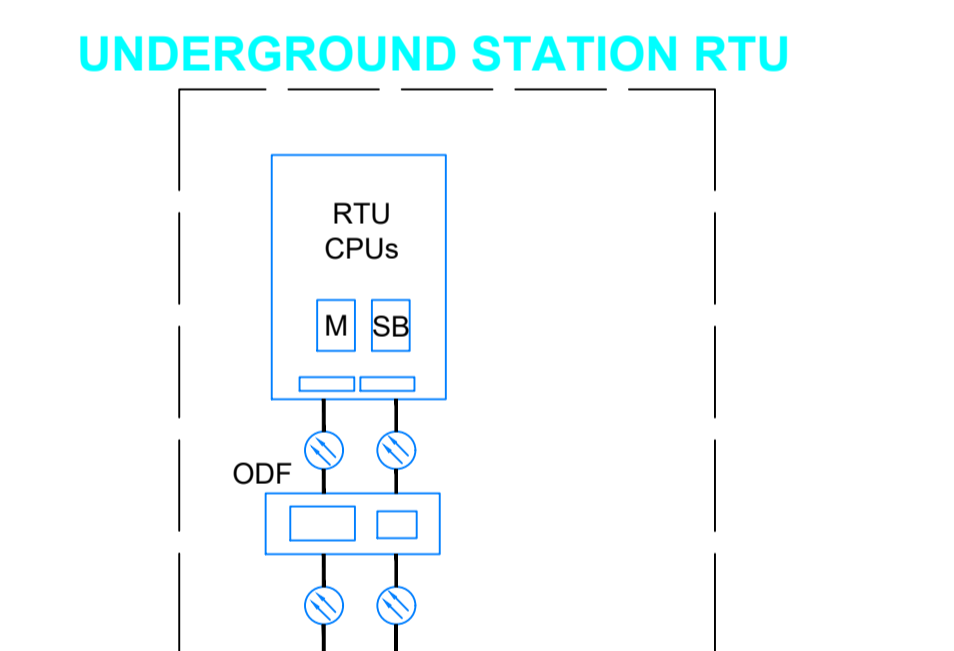
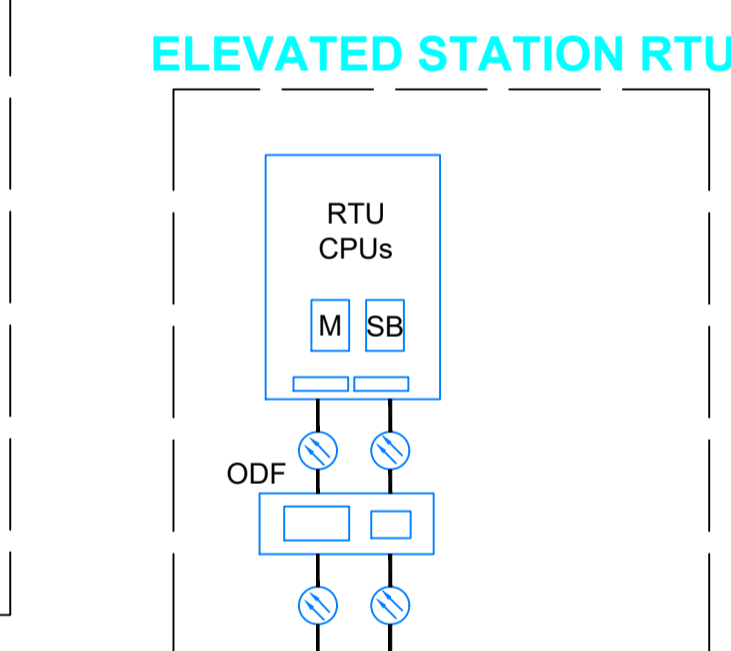
Further modifications/amendments (if any) regarding aforesaid tender will be uploaded as and when required.

Managing Director
Madhya Pradesh Metro Rail Corporation Limited
Bhopal

SCADA CONTROL CENTER ARCHITECTURE (OCC/BCC)



BACKBONE COMMUNICATION NETWORK (BY S&T) IEC 60870-5-104



TENDER DRAWING NOT TO BE USED FOR CONSTRUCTION

REV.	DATE	DESCRIPTION	Drawn	Checked	Reviewed	Approved
1	Jan.2022	AS PER PRE BID QUERIES	BS	AN	SPS	SPS
0	Oct.2021	FIRST SUBMISSION	BS	AN	SP	SPS

DETAILED DESIGN CONSULTANT

Ardanuy
 ARDANUY INGENIERIA, S.A
 258, OKHLA INDUSTRIAL ESTATE
 PHASE-3 RD, OKHLA PHASE III, NEW
 DELHI, DELHI 110020

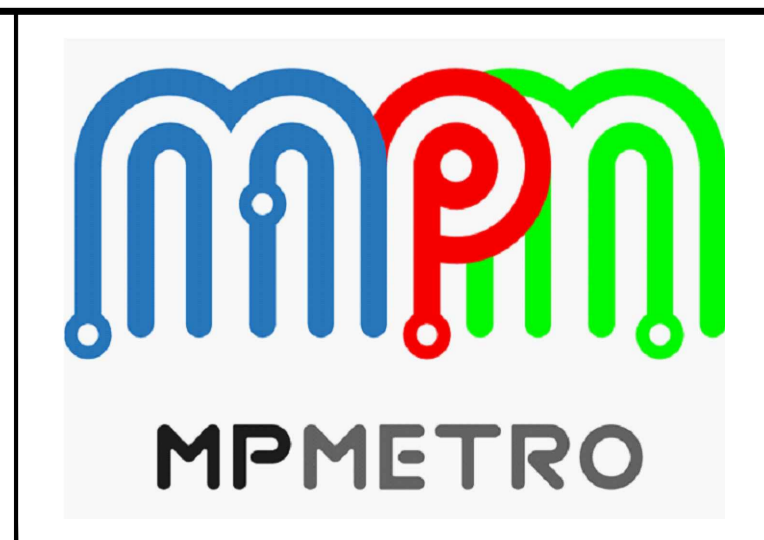
RITES
 THE INFRASTRUCTURE PEOPLE
RITES LTD.
 RITES BHAWAN, 1, SECTOR 29,
 GURGAON, HARYANA, INDIA-122001

BHUPENDER SINGH, AMNESH NEGI, SURENDRA PAL SINGH, SURENDRA PAL SINGH

GENERAL CONSULTANT

DB **GEODATA** **Louis Berger**

DB Engineering & Consulting GmbH - GEODATA Engineering S.p.A - Louis Berger SAS



CLIENT	MADHYA PRADESH METRO RAIL CORP. LTD.
PROJECT	INDORE METRO RAIL PROJECT PACKAGE IN-09
DRAWING TITLE	TYPICAL SCADA CONTROL CENTRE -ARCHITECTURE (OCC/BCC)
DRAWING NUMBER	I202-BIG-TRP-00-DWG-SCDLYT1-00605
SCALE	NTS
DATE	January 2022
STATUS	TENDER DRAWING